

TORiser

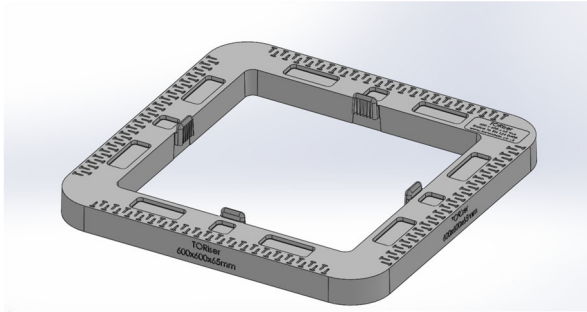


Lightweight Access cover and Gully Raising Pieces

DATA SHEET

400kN Load tested in accordance with BSEN 124-1:2015,7.2

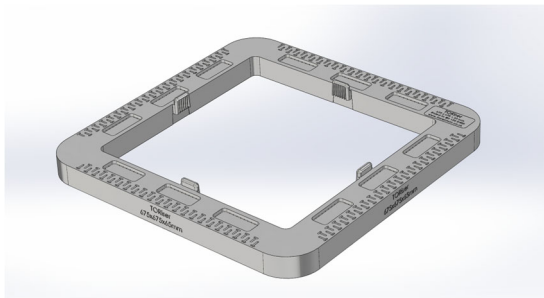
Bond strength tested in accordance with BS EN 1542;1999



TORiser 600x600x65mm

Clear opening
Overbase size
Weight
Product code
Pallet size
Certification

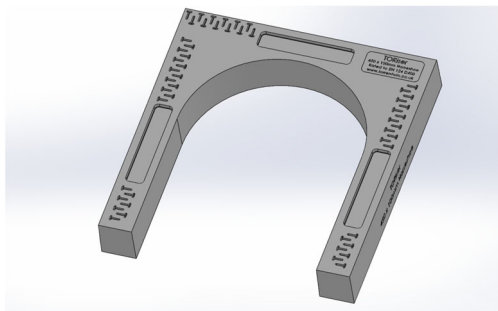
65mm height
600x600mm
825x825mm
5kg
TR160065
28no
WRc PT/513/0423-AS



TORiser 675x675x65mm

Clear opening
Overbase size
Weight
Product code
Pallet size
Certification

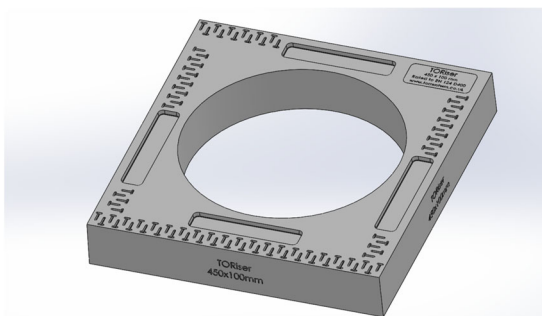
65mm height
675x675mm
900x900mm
5kg
TR267565
28no
WRc PT/513/0423-AS



TORiser 450mm Dia Horseshoe

Clear opening
Overbase size
Weight
Product code
Pallet size
Certification

100mm Height
450mm dia
620x550mm
6.7kg
TR445510
36no
WRc PT/513/0423-AS



TORiser 450mm Dia Square/Round

Clear opening
Overbase size
Weight
Product code
Pallet size
Certification

100mm height
450mm dia
620x650mm
6.7kg
TR345010
30no
WRc PT/513/0423-AS

For more information please call Torrent Water Management on 01623 272882 email enquiries@torrentwm.co.uk or visit our website www.torrentwm.co.uk